

Two-way Cassette

AB072MBERA



FEATURES & BENEFITS

- Only 220mm height, suitable for installation in limited space
- Built-in high lift drain pump
- Quiet operation for lower sound level
- Unique antifouling design

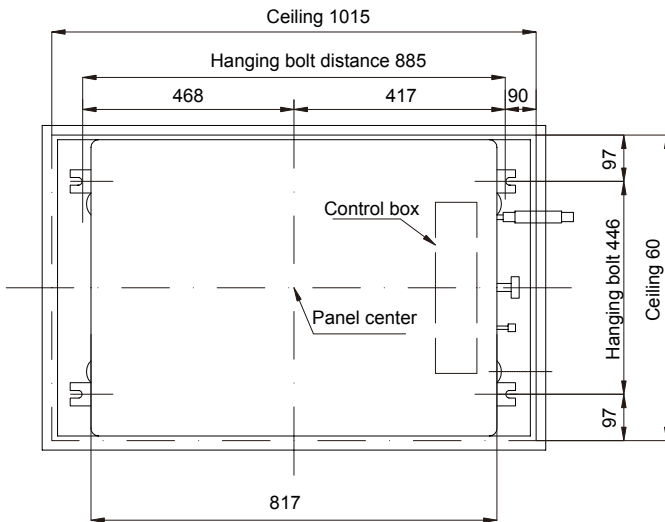
PERFORMANCE

Indoor unit name:	Two-way Cassette	Rated heating capacity(kW):	2.5
Indoor unit model:	AB072MBERA	Heating input power(kW):	0.09
Type:	Ceiling Cassette	Rated cooling conditions:	Indoor(°C DB/WB):27/19 Ambient(°C DB/WB):35/24
Rated cooling capacity(kW):	2.2	Rated heating conditions:	Indoor(°C DB/WB):20/14.5 Ambient(°C DB/WB):7/6
Sensible capacity(kW):	1.8	Rated piping length (m):	
Cooling input power(kW):	0.09	Rated height separation(m):	

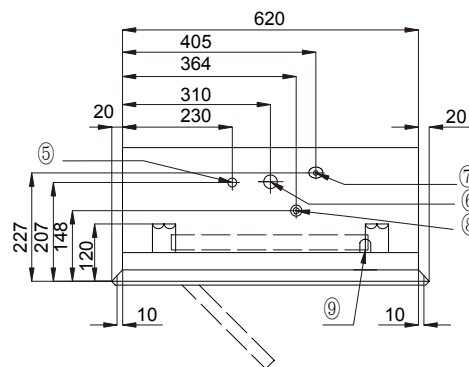
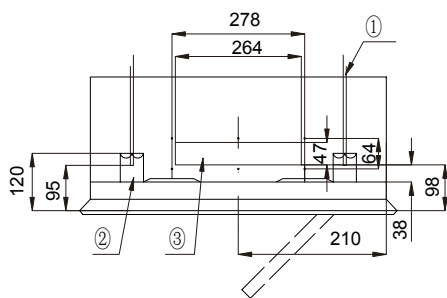
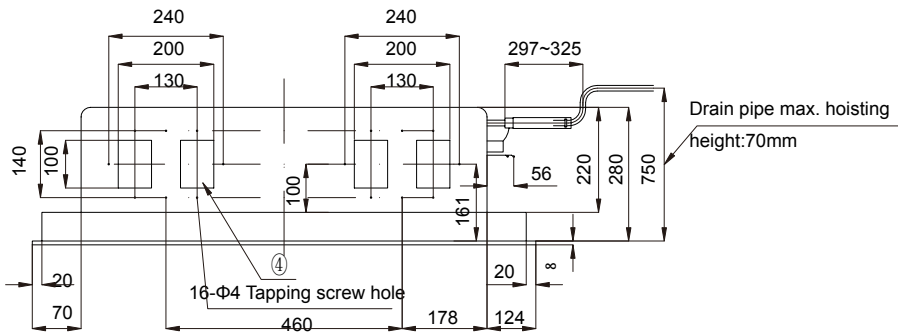
INDOOR UNIT DETAILS

Power supply(V/Hz/Ph):	220-230/50/60/1	Airflow rate (H/M/L)(m ³ /h):	840/700/550
Power supply connections:	L,N, Ground	Moisture removal(m ³ /h):	
Min. circuit Amps MCA (A):	0.5	Gas pipe connection(mm):	Φ9.52
Max. fuse Amps MFA (A):	1.6	Liquid pipe connection(mm):	Φ6.35
Dimensions(H×W×D)(mm):	220×817×620	Condensate connection(mm):	Φ32
Panel(H×W×D)(mm):	68×1055×680	Sound pressure(H/M/L)(dBA):	42/37/33
Net weight(kg):	21	Sound power level(H/M/L)(dBA):	55/50/46
Panel weight(kg):	7	Ext. static pressure (Rated/Max)(Pa):	0/0

DIMENSIONAL DRAWING



Code	Name
1	Hanging bolt
2	Pothook
3	Fresh air entrance
4	Exhaust outlet : 4
5	Liquid pipe connect hole
6	Gas pipe connect hole
7	Drain pipe connect hole
8	Natural drain
9	Power line entrance



Two-way Cassette

AB092MBERA



FEATURES & BENEFITS

- Only 220mm height, suitable for installation in limited space
- Built-in high lift drain pump
- Quiet operation for lower sound level
- Unique antifouling design

PERFORMANCE

Indoor unit name:	Two-way Cassette	Rated heating capacity(kW):	3.2
Indoor unit model:	AB092MBERA	Heating input power(kW):	0.09
Type:	Ceiling Cassette	Rated cooling conditions:	Indoor(°C DB/WB):27/19 Ambient(°C DB/WB):35/24
Rated cooling capacity(kW):	2.8	Rated heating conditions:	Indoor(°C DB/WB):20/14.5 Ambient(°C DB/WB):7/6
Sensible capacity(kW):	2.1	Rated piping length (m):	
Cooling input power(kW):	0.09	Rated height separation(m):	

INDOOR UNIT DETAILS

Power supply(V/Hz/Ph):	220-230/50/60/1	Airflow rate (H/M/L)(m ³ /h):	840/700/550
Power supply connections:	L,N, Ground	Moisture removal(m ³ /h):	
Min. circuit Amps MCA (A):	0.5	Gas pipe connection(mm):	Φ9.52
Max. fuse Amps MFA (A):	1.6	Liquid pipe connection(mm):	Φ6.35
Dimensions(H×W×D)(mm):	220×817×620	Condensate connection(mm):	Φ32
Panel(H×W×D)(mm):	68×1055×680	Sound pressure(H/M/L)(dBA):	42/37/33
Net weight(kg):	21	Sound power level(H/M/L)(dBA):	55/50/46
Panel weight(kg):	7	Ext. static pressure (Rated/Max)(Pa):	0/0

Two-way Cassette

AB122MBERA



FEATURES & BENEFITS

- Only 220mm height, suitable for installation in limited space
- Built-in high lift drain pump
- Quiet operation for lower sound level
- Unique antifouling design

PERFORMANCE

Indoor unit name:	Two-way Cassette	Rated heating capacity(kW):	4
Indoor unit model:	AB122MBERA	Heating input power(kW):	0.09
Type:	Ceiling Cassette	Rated cooling conditions:	Indoor(°C DB/WB):27/19 Ambient(°C DB/WB):35/24
Rated cooling capacity(kW):	3.6	Rated heating conditions:	Indoor(°C DB/WB):20/14.5 Ambient(°C DB/WB):7/6
Sensible capacity(kW):	2.6	Rated piping length (m):	
Cooling input power(kW):	0.09	Rated height separation(m):	

INDOOR UNIT DETAILS

Power supply(V/Hz/Ph):	220-230/50/60/1	Airflow rate (H/M/L)(m ³ /h):	840/700/550
Power supply connections:	L,N, Ground	Moisture removal(m ³ /h):	
Min. circuit Amps MCA (A):	0.5	Gas pipe connection(mm):	Φ12.7
Max. fuse Amps MFA (A):	1.6	Liquid pipe connection(mm):	Φ6.35
Dimensions(H×W×D)(mm):	220×817×620	Condensate connection(mm):	Φ32
Panel(H×W×D)(mm):	68×1055×680	Sound pressure(H/M/L)(dBA):	42/37/33
Net weight(kg):	21	Sound power level(H/M/L)(dBA):	55/50/46
Panel weight(kg):	7	Ext. static pressure (Rated/Max)(Pa):	0/0

Two-way Cassette

AB162MBERA



FEATURES & BENEFITS

- Only 220mm height, suitable for installation in limited space
- Built-in high lift drain pump
- Quiet operation for lower sound level
- Unique antifouling design

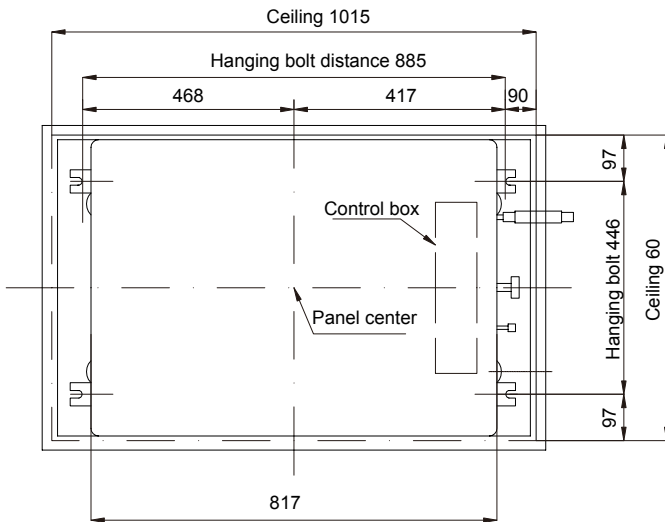
PERFORMANCE

Indoor unit name:	Two-way Cassette	Rated heating capacity(kW):	5
Indoor unit model:	AB162MBERA	Heating input power(kW):	0.11
Type:	Ceiling Cassette	Rated cooling conditions:	Indoor(°C DB/WB):27/19 Ambient(°C DB/WB):35/24
Rated cooling capacity(kW):	4.5	Rated heating conditions:	Indoor(°C DB/WB):20/14.5 Ambient(°C DB/WB):7/6
Sensible capacity(kW):	3.2	Rated piping length (m):	
Cooling input power(kW):	0.11	Rated height separation(m):	

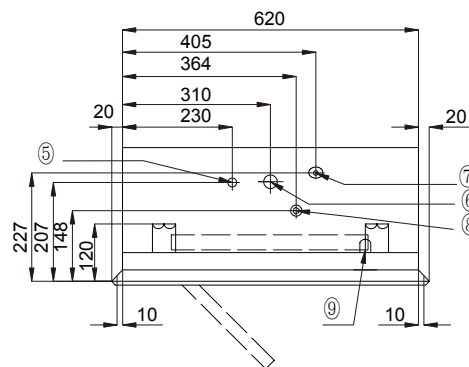
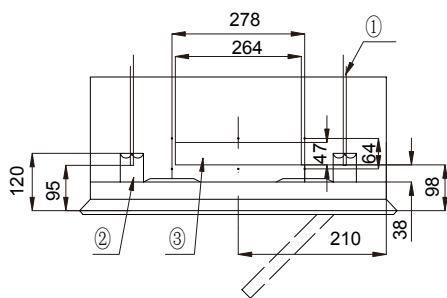
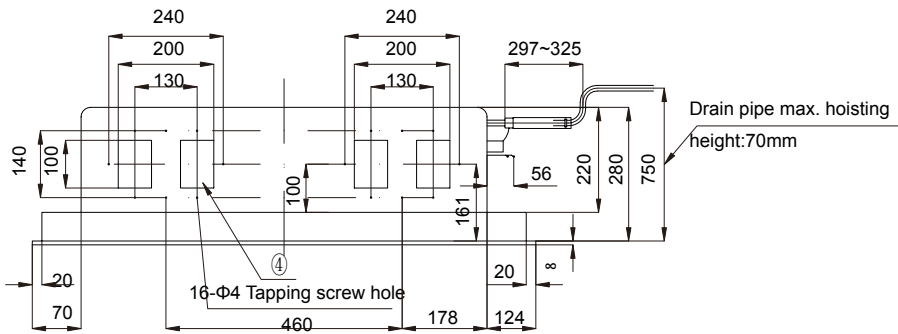
INDOOR UNIT DETAILS

Power supply(V/Hz/Ph):	220-230/50/60/1	Airflow rate (H/M/L)(m³/h):	840/700/550
Power supply connections:	L,N, Ground	Moisture removal(m³/h):	
Min. circuit Amps MCA (A):	0.5	Gas pipe connection(mm):	Φ12.7
Max. fuse Amps MFA (A):	1.6	Liquid pipe connection(mm):	Φ6.35
Dimensions(H×W×D)(mm):	220×817×620	Condensate connection(mm):	Φ32
Panel(H×W×D)(mm):	68×1055×680	Sound pressure(H/M/L)(dBA):	44/39/34
Net weight(kg):	21	Sound power level(H/M/L)(dBA):	57/52/47
Panel weight(kg):	7	Ext. static pressure (Rated/Max)(Pa):	0/0

DIMENSIONAL DRAWING



Code	Name
1	Hanging bolt
2	Pothook
3	Fresh air entrance
4	Exhaust outlet : 4
5	Liquid pipe connect hole
6	Gas pipe connect hole
7	Drain pipe connect hole
8	Natural drain
9	Power line entrance



Two-way Cassette

AB182MBERA



FEATURES & BENEFITS

- Only 220mm height, suitable for installation in limited space
- Built-in high lift drain pump
- Quiet operation for lower sound level
- Unique antifouling design

PERFORMANCE

Indoor unit name:	Two-way Cassette	Rated heating capacity(kW):	6.3
Indoor unit model:	AB182MBERA	Heating input power(kW):	0.11
Type:	Ceiling Cassette	Rated cooling conditions:	Indoor(°C DB/WB):27/19 Ambient(°C DB/WB):35/24
Rated cooling capacity(kW):	5.6	Rated heating conditions:	Indoor(°C DB/WB):20/14.5 Ambient(°C DB/WB):7/6
Sensible capacity(kW):	3.8	Rated piping length (m):	
Cooling input power(kW):	0.11	Rated height separation(m):	

INDOOR UNIT DETAILS

Power supply(V/Hz/Ph):	220-230/50/60/1	Airflow rate (H/M/L)(m ³ /h):	840/700/550
Power supply connections:	L,N, Ground	Moisture removal(m ³ /h):	
Min. circuit Amps MCA (A):	0.5	Gas pipe connection(mm):	Φ12.7
Max. fuse Amps MFA (A):	1.6	Liquid pipe connection(mm):	Φ6.35
Dimensions(H×W×D)(mm):	220×817×620	Condensate connection(mm):	Φ32
Panel(H×W×D)(mm):	68×1055×680	Sound pressure(H/M/L)(dBA):	44/39/34
Net weight(kg):	21	Sound power level(H/M/L)(dBA):	57/52/47
Panel weight(kg):	7	Ext. static pressure (Rated/Max)(Pa):	0/0

