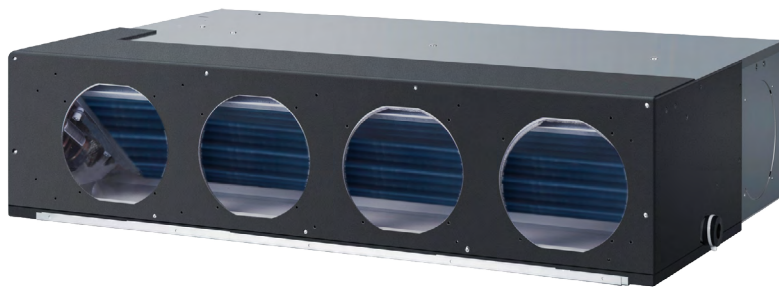


Duct Medium ESP (80/120 Pa)

AD482MNERA



FEATURES & BENEFITS

- Only 270mm thickness makes it easier for installation in limited space.
- Optional external drain pump
- Flexible duct connection
- Low sound level
- ESP 80/120Pa

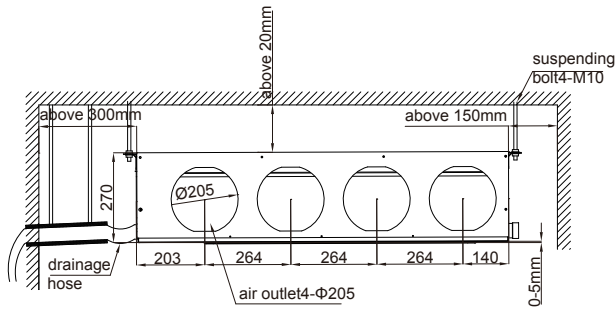
PERFORMANCE

Indoor unit name:	Duct Medium ESP (80/120 Pa)	Rated heating capacity(kW):	16
Indoor unit model:	AD482MNERA	Heating input power(kW):	0.49
Type:	Duct	Rated cooling conditions:	Indoor(°C DB/WB):27/19 Ambient(°C DB/WB):35/24
Rated cooling capacity(kW):	14	Rated heating conditions:	Indoor(°C DB/WB):20/14.5 Ambient(°C DB/WB):7/6
Sensible capacity(kW):	10.1	Rated piping length (m):	
Cooling input power(kW):	0.49	Rated height separation(m):	

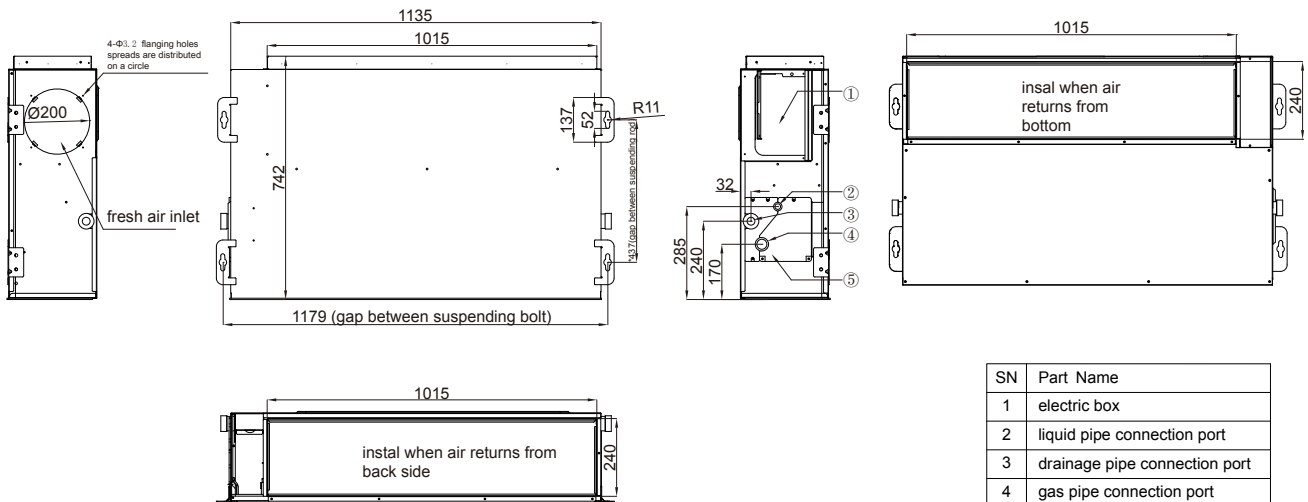
INDOOR UNIT DETAILS

Power supply(V/Hz/Ph):	220-230/50/60/1	Airflow rate (H/M/L)(m ³ /h):	1600/1453/1295
Power supply connections:	L,N, Ground	Moisture removal(m ³ /h):	
Min. circuit Amps MCA (A):	3	Gas pipe connection(mm):	Φ15.88
Max. fuse Amps MFA (A):	9.6	Liquid pipe connection(mm):	Φ9.52
Dimensions(H×W×D)(mm):	270×1135×742	Condensate connection(mm):	Φ38
Panel(H×W×D)(mm):	/	Sound pressure(H/M/L)(dBA):	49/47/43
Net weight(kg):	50	Sound power level(H/M/L)(dBA):	62/60/56
Panel weight(kg):	/	Ext. static pressure (Rated/Max)(Pa):	80/120

DIMENSIONAL DRAWING



the installation distance marked with * can be adjusted according to installation space (largest: 510mm, smallest: 370mm)



SN	Part Name
1	electric box
2	liquid pipe connection port
3	drainage pipe connection port
4	gas pipe connection port
5	maintenance board