

### High Wall (EK platform)

AS122MGERA



#### FEATURES & BENEFITS

- DC fan motor, higher efficiency and lower sound level
- Built-in EEV, easier installation
- Negative ion, vitamin C and ESF filter optional

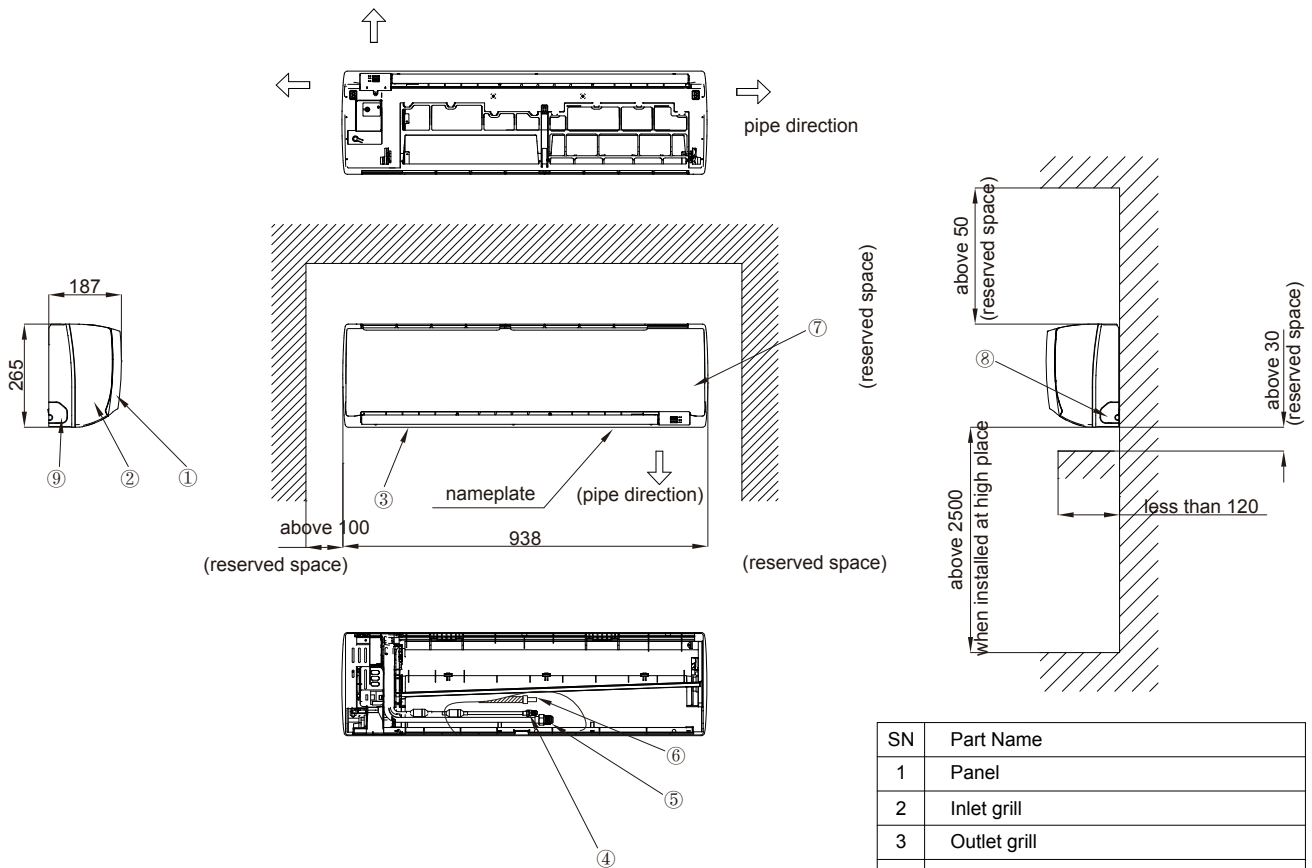
### PERFORMANCE

Indoor unit name:	High Wall (EK platform)	Rated heating capacity(kW):	4
Indoor unit model:	AS122MGERA	Heating input power(kW):	0.071
Type:	High Wall	Rated cooling conditions:	Indoor(°C DB/WB):27/19 Ambient(°C DB/WB):35/24
Rated cooling capacity(kW):	3.6	Rated heating conditions:	Indoor(°C DB/WB):20/14.5 Ambient(°C DB/WB):7/6
Sensible capacity(kW):	2.8	Rated piping length (m):	
Cooling input power(kW):	0.071	Rated height separation(m):	

### INDOOR UNIT DETAILS

Power supply(V/Hz/Ph):	220-230/50/60/1	Airflow rate (H/M/L)(m <sup>3</sup> /h):	600/462/415
Power supply connections:	L,N, Ground	Moisture removal(m <sup>3</sup> /h):	
Min. circuit Amps MCA (A):	0.21	Gas pipe connection(mm):	Φ12.7
Max. fuse Amps MFA (A):	0.66	Liquid pipe connection(mm):	Φ6.35
Dimensions(H×W×D)(mm):	265×938×187	Condensate connection(mm):	Φ16.8
Panel(H×W×D)(mm):	/	Sound pressure(H/M/L)(dBA):	41/36/33
Net weight(kg):	10.9	Sound power level(H/M/L)(dBA):	52/47/44
Panel weight(kg):	/	Ext. static pressure (Rated/Max)(Pa):	0/0

### DIMENSIONAL DRAWING



SN	Part Name
1	Panel
2	Inlet grill
3	Outlet grill
4	Connecting port for liquid pipe
5	Connecting port for gas pipe
6	Drain hose(accessory)
7	Grounding terminal
8	Left side pipe connection port
9	Right side pipe connection port