

High Wall (EK platform)

AS242MGERA



FEATURES & BENEFITS

- DC fan motor, higher efficiency and lower sound level
- Built-in EEV, easier installation
- Negative ion, vitamin C and ESF filter optional

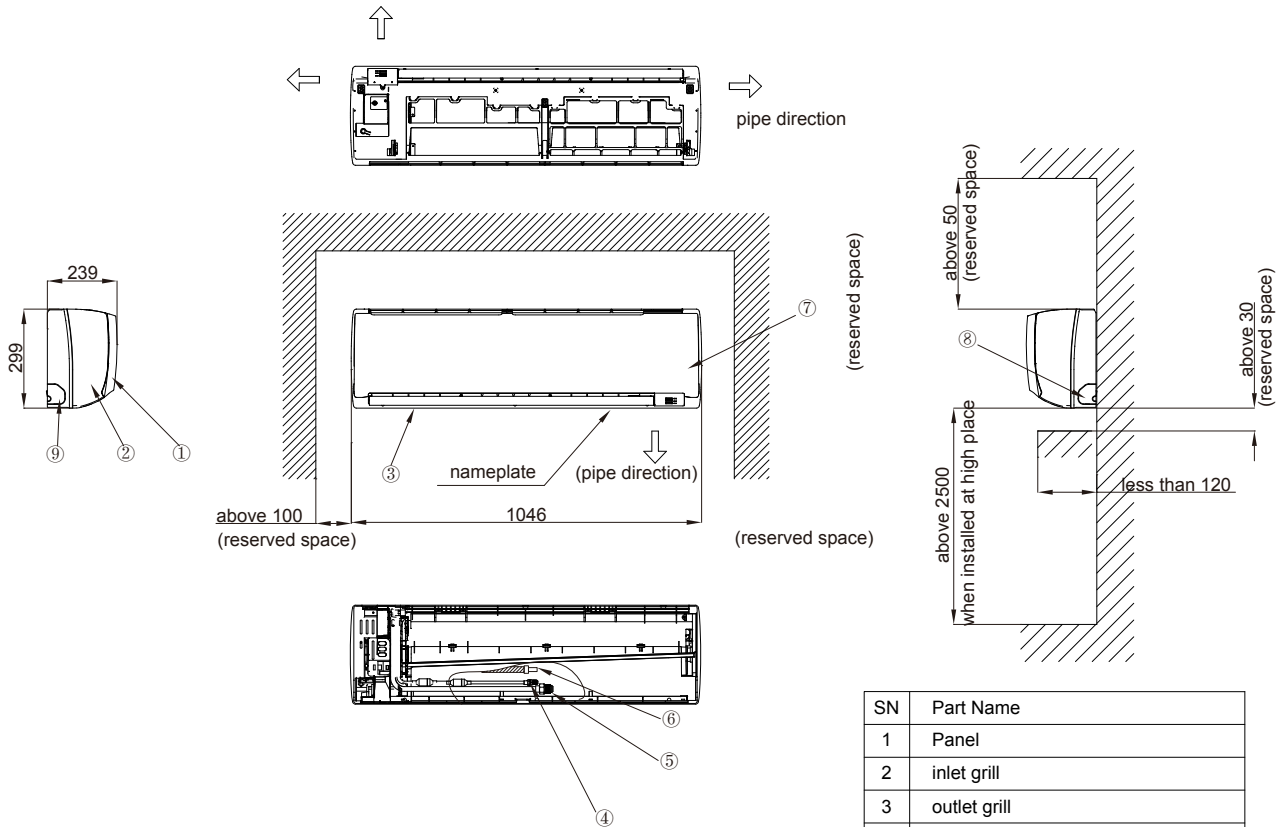
PERFORMANCE

Indoor unit name:	High Wall (EK platform)	Rated heating capacity(kW):	8
Indoor unit model:	AS242MGERA	Heating input power(kW):	0.094
Type:	High Wall	Rated cooling conditions:	Indoor(°C DB/WB):27/19 Ambient(°C DB/WB):35/24
Rated cooling capacity(kW):	7.1	Rated heating conditions:	Indoor(°C DB/WB):20/14.5 Ambient(°C DB/WB):7/6
Sensible capacity(kW):	4.7	Rated piping length (m):	
Cooling input power(kW):	0.094	Rated height separation(m):	

INDOOR UNIT DETAILS

Power supply(V/Hz/Ph):	220-230/50/60/1	Airflow rate (H/M/L)(m ³ /h):	800/640/576
Power supply connections:	L,N, Ground	Moisture removal(m ³ /h):	
Min. circuit Amps MCA (A):	0.25	Gas pipe connection(mm):	Φ15.88
Max. fuse Amps MFA (A):	0.8	Liquid pipe connection(mm):	Φ9.52
Dimensions(H×W×D)(mm):	299×1046×239	Condensate connection(mm):	Φ16.8
Panel(H×W×D)(mm):	/	Sound pressure(H/M/L)(dBA):	48/39/37
Net weight(kg):	13	Sound power level(H/M/L)(dBA):	59/50/48
Panel weight(kg):	/	Ext. static pressure (Rated/Max)(Pa):	0/0

DIMENSIONAL DRAWING



SN	Part Name
1	Panel
2	inlet grill
3	outlet grill
4	connecting port for liquid pipe
5	connecting port for gas pipe
6	drain hose(accessory)
7	grounding terminal
8	left side pipe connection port
9	right side pipe connection port